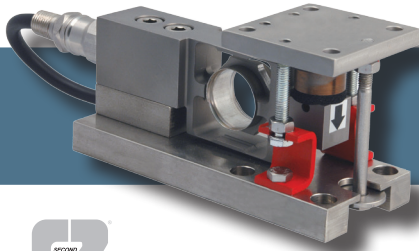


ADVANTAGE LINE - LOW CAPACITY



HI LPB Hermetic Load Point Assembly Compression

The Hardy HI LPB ADVANTAGE® Series, sliding load point system is designed for use on light to medium capacity vessels.

Each load point consists of mounting hardware and a stainless steel mV/V and mV/V/ohm matched load sensor with true hermetic sealing, C2® Electronic Calibration capabilities, on-board electronic certs, a ¼ NPT conduit adapter and ten feet of cable. Each pre-assembled, low profile load point system provides lift off protection and consists of three mount types specifically designed to eliminate the effects of unwanted forces to provide exceptional accuracy. The assembly can be positioned 360 degrees in ninety degree steps. A grounding strap and fixed color code wiring label is provided with each load point. The mounting hardware is available in either stainless or zinc plated steel. The sensors have an IP rating of IP68/IP69K.

The HI LPB is available in the following standard capacities: 44 lbs, 110 lbs, 225 lbs, 450 lbs, and come fully assembled with shipping bracket for protection.

SPECIFICATIONS

Rated Output (ES)	2±0.002mV/V
Non-Linearity	< ±0.018 % R.O.
Hysteresis	< ±0.025 % R.O.
Zero Balance	< ±1.0 % R.O.
Creep @ 5 Min.	< ±0.01 % R.O.
Temp Effect Output	< ±0.0014 % R.O./C
Temp Effect Sensitivity	< ±0.0007 % R.O./C
Input Resistance	1050 to 1150 ohms
Output Resistance	1000 ± 2 ohm
Insulation Resistance	>5000 Mohm
Excitation	5 - 15 vdc
Safe Load Limit	200 % Emax
Ultimate Load	300 % Emax
Safe Side Load	50 % Emax
Max Lift Off	100 % Emax
Approvals	CE, IP68/IP69K
Warranty	Two years

ORDERING INFORMATION

Load Point with Stainless Hardware (-43_) shown, zinc plated Hardware (-45_).
Shipping Weight approx. 10 lbs., Sensor 3 lbs.

A vessel with 3 legs will require 1 each fixed (F), bumper (B) & slider (S) assy.

A vessel with 4 legs will require 1 each fixed (F), bumper (B) & 2 each slider (S) assy.

Capacity	Model #	Model#	Model#	Model#	
lbs	Kgs	FIXED Assy	BUMPER Assy	SLIDER Assy	SPARE Load Sensor
44	20	HI LPB44-43F	HI LPB44-43B	HI LPB44-43S	HI BBH06-44
110	50	HI LPB110-43F	HI LPB110-43B	HI LPB110-43S	HI BBH06-110
225	100	HI LPB225-43F	HI LPB225-43B	HI LPB225-43S	HI BBH06-225
450	200	HI LPB450-43F	HI LPB450-43B	HI LPB450-43S	HI BBH06-450

Load points can be ordered as a system rather than ordering individual components.

3 POINT SYSTEMS

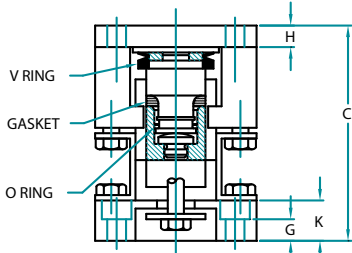
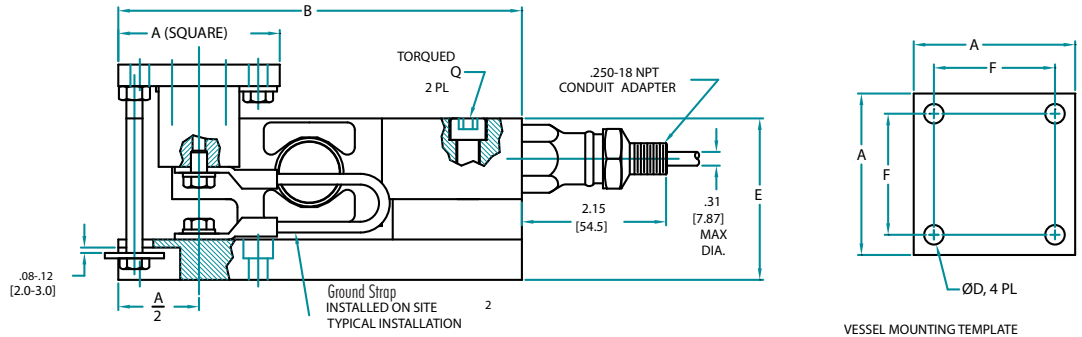
CAPACITY		MODEL#
lbs	Kg	
132	60	HI 3B132-43
330	150	HI 3B330-43
675	306	HI 3B675-43
1350	612	HI 3B1.35K-43

4 POINT SYSTEMS

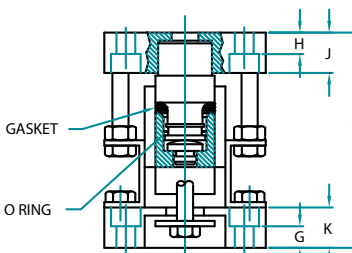
CAPACITY		MODEL#
lbs	Kg	
176	80	HI 4B176-43
440	200	HI 4B440-43
900	408	HI 4B900-43
1800	816	HI 4B1.8K-43

ADVANTAGE Load Point Outline

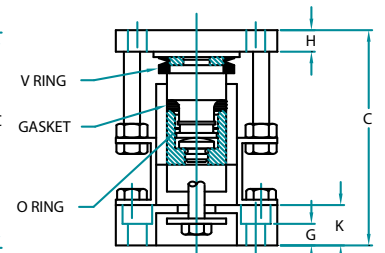
HI LPB Series



2-Directional Bumper Module (B)



Fixed Loading Pin Module (F)



Free Sliding Module (S)

C2 WIRE COLOR CODE FLAG LABEL IS FOUND APPROX. 10 IN. FROM END OF SENSOR'S CABLE

EXCITATION +	RED
EXCITATION -	BLACK
SIGNAL +	GREEN
SIGNAL -	WHITE
C2+	GRAY
C2 -	VIOLET
SHIELD	YELLOW

DIMENSIONS- INCHES & [mm]

CAPACITY LBS (kg/kN)	A	B	C	ØD	E	F	G	H	J	K	ØL	Q FT LBS	MOUNT SCREW	WEIGHT LBS
44, 110, 225, 450 [20] [50] [1] [2]	2.36 [60.0]	5.91 [150.0]	3.15 [80.0]	0.276 [7.00]	2.36 [60.0]	1.73 [44.0]	0.315 [8.00]	0.315 [8.00]	0.59 [15.0]	0.59 [15.0]	0.433 [11.00]	18.5 [25Nm]	.250	6.5

WARNING: NEVER cut load sensor cable
CABLE LENGTH 10 FEET

ADVANTAGE Load Sensor Outline

HI BBH06 Series

